



MPI-706H

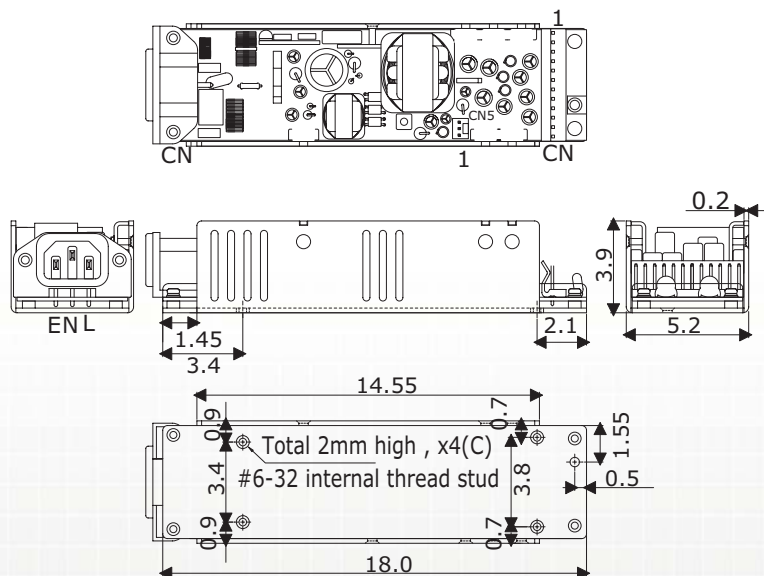
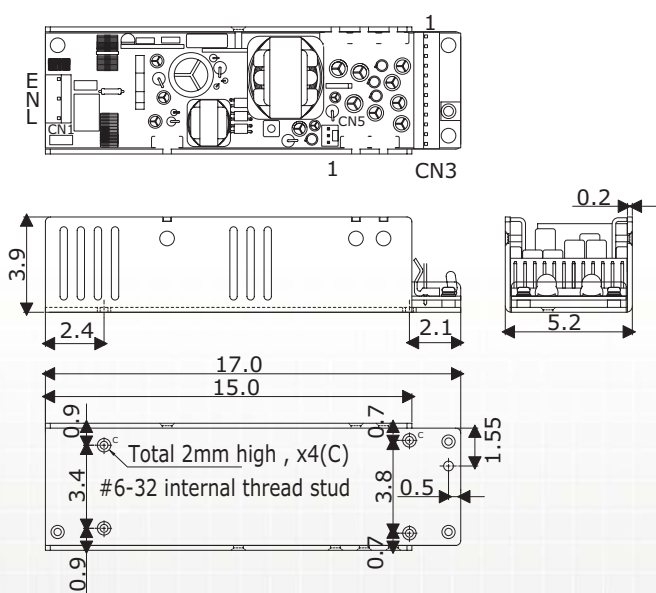
80W AC-DC Open Frame Power Supply

MPI-706H-A

80W AC-DC Open Frame Power Supply

Industrial Power Supply

AC-DC



Specifications

Output Voltage	+5V	+12V	-12V	+3.3V	+5Vsb
Mini. Output Current	0.2A	0A	0A	0A	0A
Rated Output Current	5A	1.5A	0.5A	4A	1A
Max. Output Current (Note 1)	8A	4A	----	6A	----
Line Regulation	1%	1%	1%	1%	1%
Load Regulation	2%	4%	5%	4%	4%
Ripple & Noise p-p (Note 2)	50mV	120mV	120mV	50mV	120mV
Initial Setting Accuracy (Note 3)	5.08V to 5.13V	11.4V to 12.6V	-11.4V to -12.6V	3.10V to 3.50V	4.80V to 5.20V

Total Output Power

maximum 80W with 8.6CFM forced air-cooling and 60W convection cooling at 50°C ambient temperature

Note:

- 1) The maximum total combined output power on the +3.3V and +5V rails is 40W
- 2) Measured by a 20MHz bandwidth limited oscilloscope and the each output is connected with a 10uF Electrolytic Capacitor and a 0.1uF Ceramic Capacitor
- 3) The +5V output is set between 5.08V to 5.13V by variable resistor and all output at 60% rated load and the other outputs are checked to be within the accuracy range
- 4) While input voltage below 100V (90-99V), an accessory heat sink or the chassis of application (min. 440 cm², aluminum with 1.5mm thickness) is recommend to be placed at the bottom of the power supply itself

Dimensions

MPI-706H: 17.0 x 5.2 x 3.9 cm, Tolerance +/-0.4mm

MPI-706H-A: 18.0 x 5.2 x 3.9 cm, Tolerance +/-0.4mm